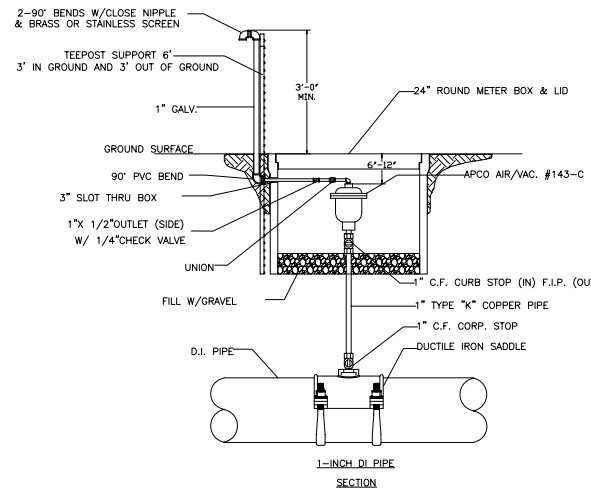
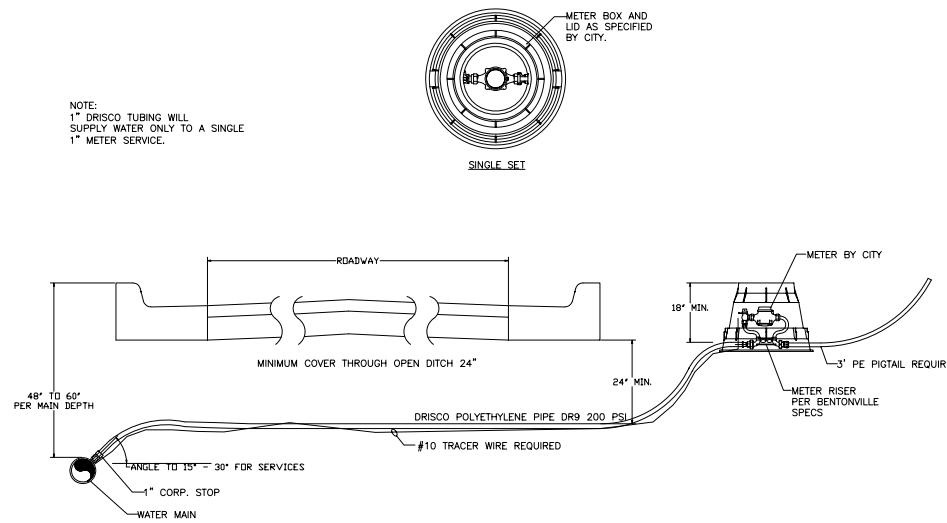


1" COMBINATION AIR/VACUUM VALVE DETAIL

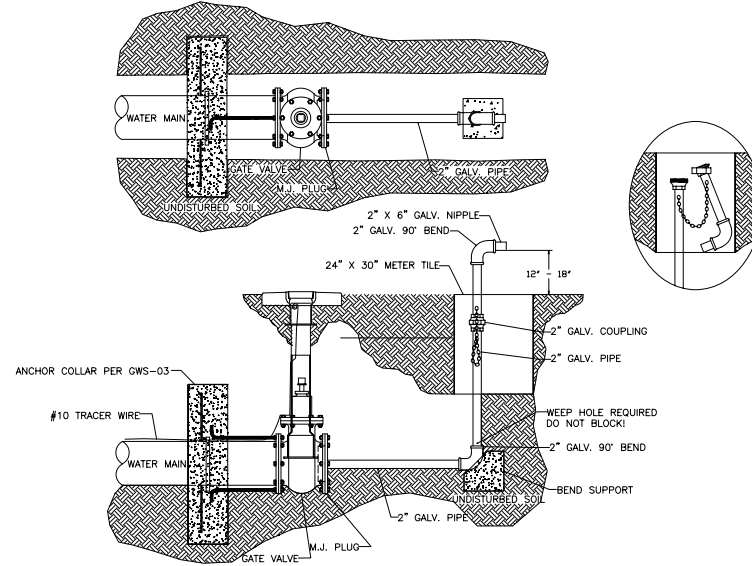


- NOTES:
1. ALL THREADED CONNECTIONS SHALL HAVE A DOUBLE WRAP OF TEFLON TAPE ON THREADS.
2. DRILL HOLE IN SIDE OF METER BOX FOR OUTLET PIPING.
3. VALVES WILL BE PIPED TO POINT BEYOND PAVEMENT AND SHOULDER.

WATER SERVICE DETAIL 1"



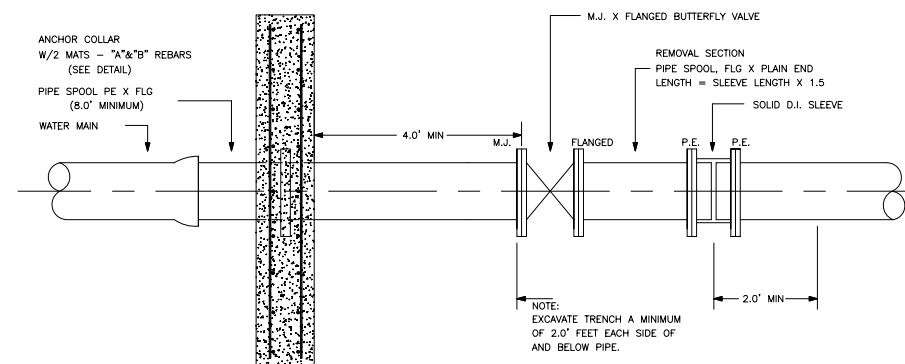
RESTRAINED GATE VALVE W/ 2" BLOW-OFF



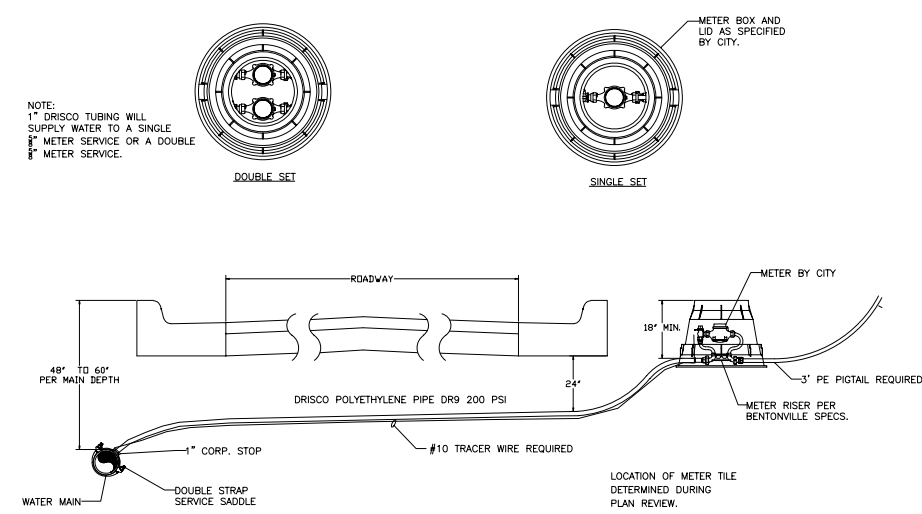
- NOTES:
1. END BLOW OFF'S TO BE INSTALLED AS REQUIRED BY THE PLANS.
2. ALL THREADED OUTLETS SHALL HAVE A DOUBLE WRAP OF TEFLON TAPE ON THREADS.
3. VALVE BOXES SHALL BE INSTALLED ON ALL BLOW OFF VALVES.

TYPICAL BUTTERFLY VALVE INSTALLATION

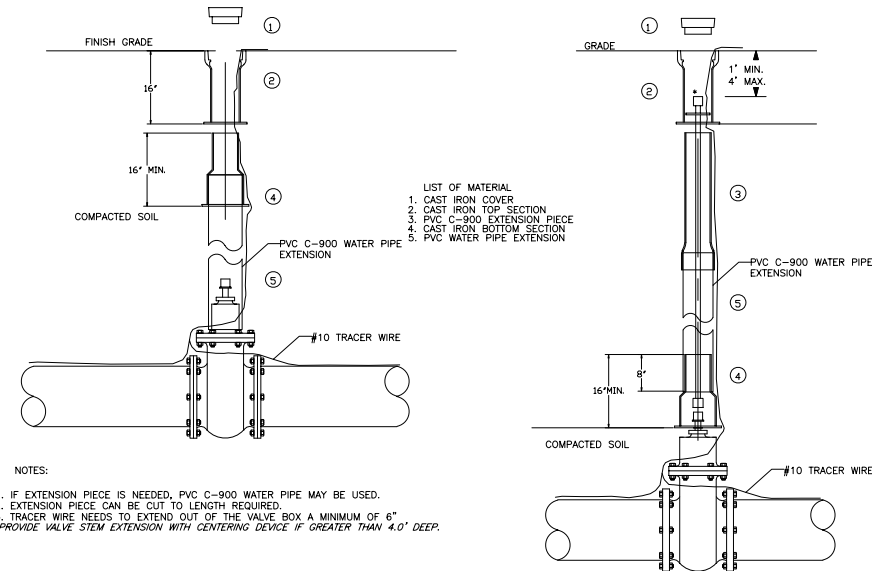
(16" AND LARGER PIPE)



WATER SERVICE DETAIL 5/8"

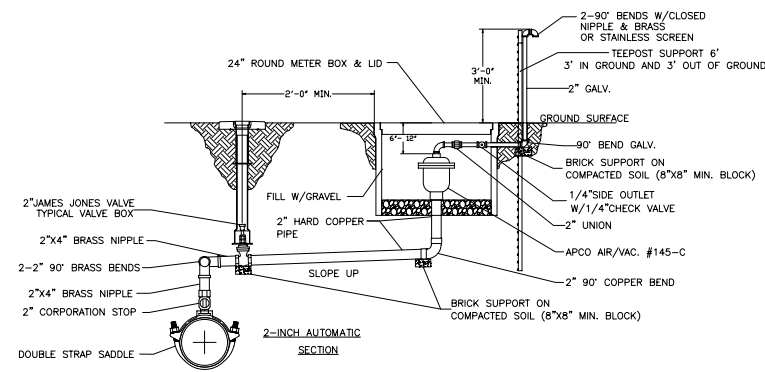


VALVE BOX VALVE STEM & TRACER WIRE INSTALLATION



- NOTES:
1. IF EXTENSION PIECE IS NEEDED, PVC C-900 WATER PIPE MAY BE USED.
2. EXTENSION PIECE CAN BE CUT TO LENGTH REQUIRED.
3. TRACER WIRE NEEDS TO EXTEND OUT OF THE VALVE BOX A MINIMUM OF 6"
*PROVIDE VALVE STEM EXTENSION WITH CENTERING DEVICE IF GREATER THAN 4.0' DEEP.

2" COMBINATION AIR/VACUUM VALVE DETAIL

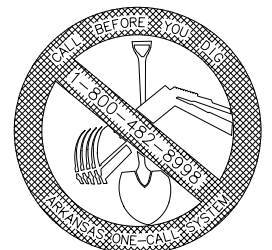


- NOTES:
1. ALL THREADED CONNECTIONS SHALL HAVE A DOUBLE WRAP OF TEFLON TAPE ON THREADS.
2. DRILL HOLE IN SIDE OF METER BOX FOR OUTLET PIPING.
3. VALVES WILL BE PIPED TO POINT BEYOND PAVEMENT AND SHOULDER.



501 SE 3rd Steet
Bentonville, AR 72712
Ph: (479) 271-3140
www.bentonvillear.com

WATER DETAILS



REVISIONS:
Adopted by City Council 1/14/2003
Ordinance Number: 2003-18

Changes Proposed by Water Dept.
04/10/2007
10/10/2007
02/11/2008
04/16/2008

Changes Approved by Health Dept.
05/09/2008

NOTES:

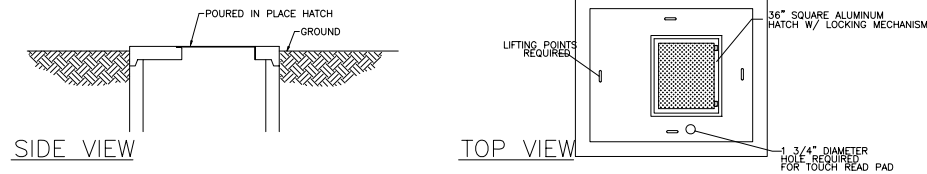
DRAWN BY: CAO DATE: 10/10/2007

APPROVED BY: XXX DATE: XX/XX/XXXX

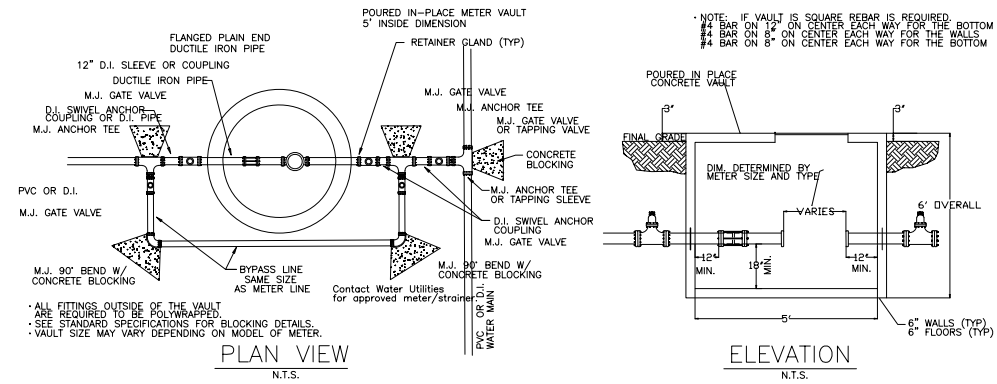
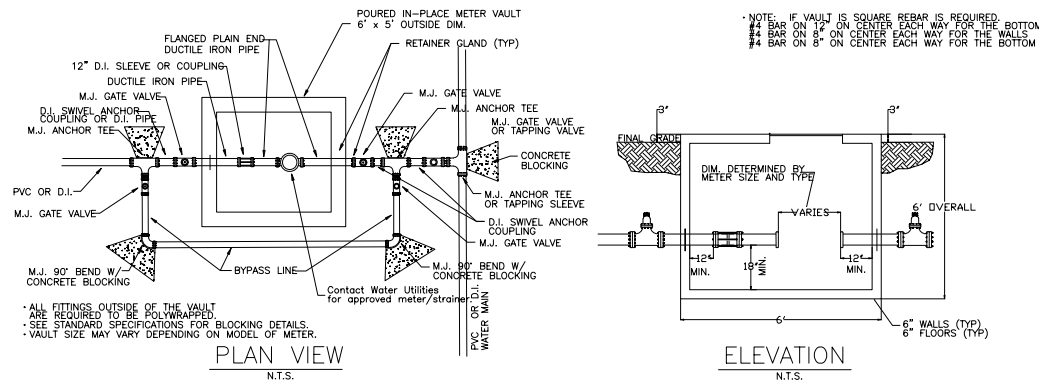
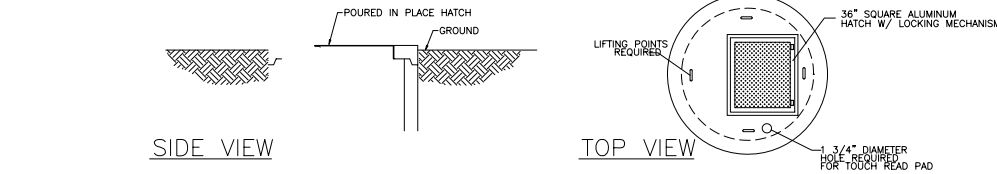
SHEET NUMBER: 1 OF 2

METER VAULT DETAIL FOR 4" - 8" METERS (TYPICAL)
(DIMENSIONS MAY VARY FOR METER SIZES)

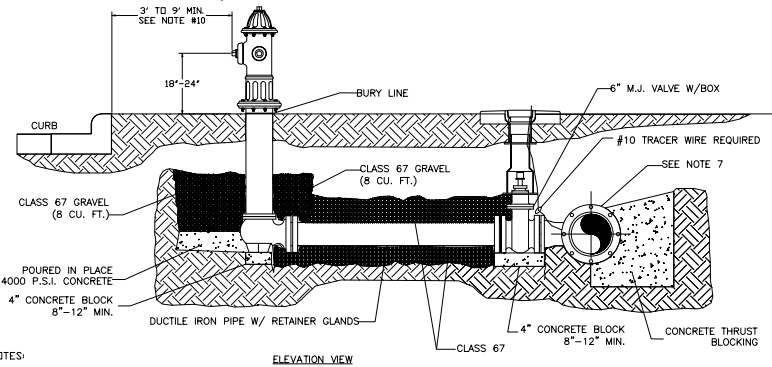
DTL W12A



METER VAULT DETAIL FOR 4" - 8" METERS (TYPICAL)
(DIMENSIONS MAY VARY FOR METER SIZES)

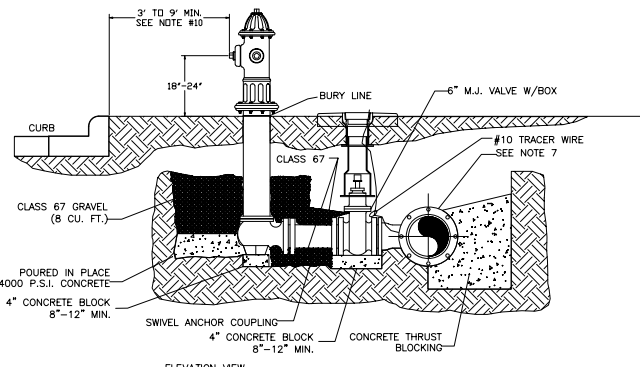


FIRE HYDRANT DETAIL W/DUCTILE IRON PIPE AND RETAINER GLANDS



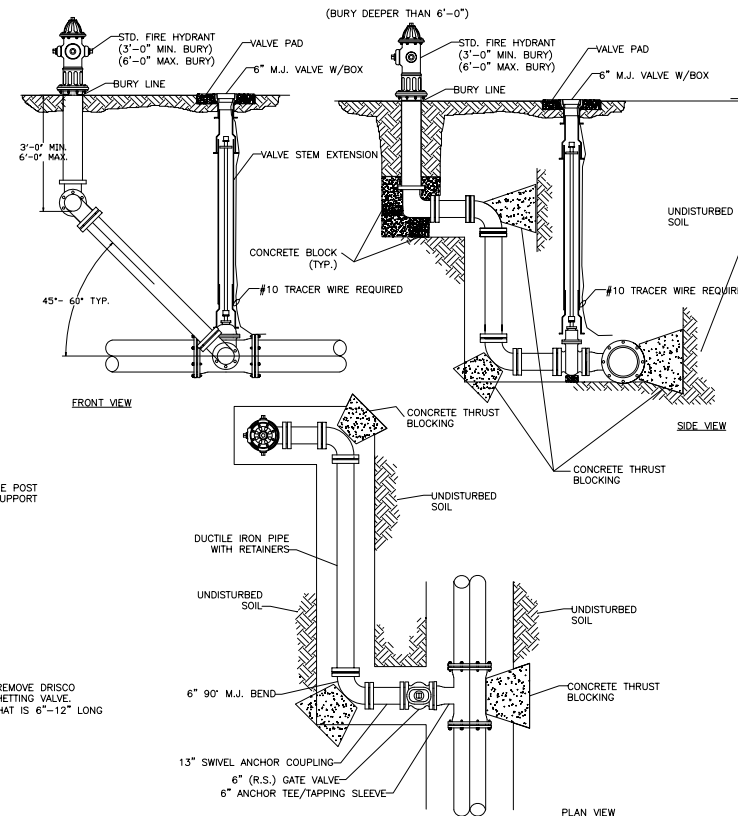
- NOTES:
1. DRAINAGE BED SHALL CONSIST OF 8 CU FT OF CLASS 67 GRAVEL.
 2. USE 6" D.I. NIPPLE WITH M.J. RETAINER GLANDS IF DISTANCE BETWEEN VALVE AND HYDRANT MUST BE GREATER THAN 13" SWIVEL ADAPTER.
 3. FIRE HYDRANT TO BE BLOCKED AGAINST FIRM SOIL AS SHOWN.
 4. ALL HYDRANTS SHALL BE INSTALLED PLUMB.
 5. LARGE NOZZLE SHALL FACE CURB UNLESS OTHER-WISE NOTED. ROTATE BARREL AS REQUIRED.
 6. HYDRANT SHOULD NOT BE SET CLOSER THAN 4.0' TO OBSTRUCTIONS THAT ARE IN LINE WITH NOZZLE.
 7. M.J. ANCHOR TEE, TAPPING SLEEVE OR TAPPING SADDLE MAY BE USED (SEE MATERIAL SPECIFICATIONS).
 8. HYDRANTS TO BE SET AT DEPTHS GREATER THAN 6.0' SHALL BE SET WITH A MODIFIED FIRE HYDRANT SETTING.
 9. POLYWRAP ENTIRE HYDRANT ASSEMBLY. DO NOT COVER WEEP HOLE DRAIN.
 10. HYDRANTS WILL BE SET AT A MINIMUM OF 3' TO 9' BACK OF CURB OR EDGE OF DRAINING SURFACE, NOT IN SIDEWALK, FIRE LANE, OR RADIUS OR AS DIRECTED BY BENTONVILLE WATER DEPARTMENT.

FIRE HYDRANT DETAIL W/SWIVEL ANCHOR COUPLING

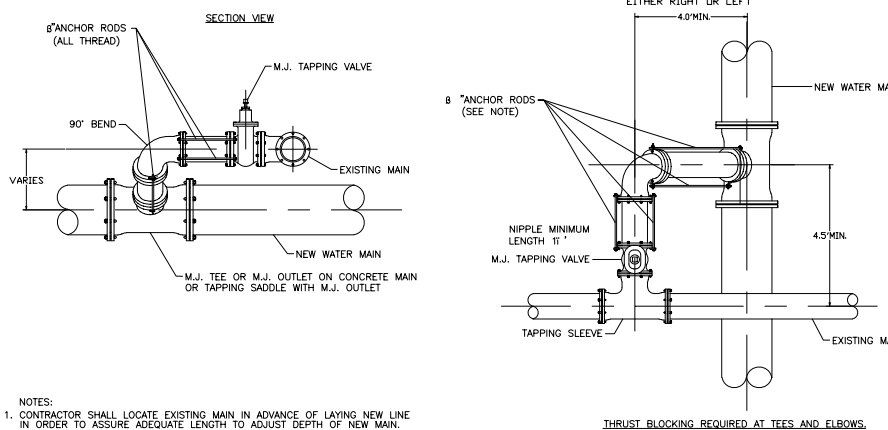


- NOTES:
1. DRAINAGE BED SHALL CONSIST OF 8 CU FT OF CLASS 67 GRAVEL.
 2. USE 6" D.I. NIPPLE WITH M.J. RETAINER GLANDS IF DISTANCE BETWEEN VALVE AND HYDRANT MUST BE GREATER THAN 13" SWIVEL ADAPTER.
 3. FIRE HYDRANT TO BE BLOCKED AGAINST FIRM SOIL AS SHOWN.
 4. ALL HYDRANTS SHALL BE INSTALLED PLUMB.
 5. LARGE NOZZLE SHALL FACE CURB UNLESS OTHER-WISE NOTED. ROTATE BARREL AS REQUIRED.
 6. HYDRANT SHOULD NOT BE SET CLOSER THAN 4.0' TO OBSTRUCTIONS THAT ARE IN LINE WITH NOZZLE.
 7. M.J. ANCHOR TEE, TAPPING SLEEVE OR TAPPING SADDLE MAY BE USED (SEE MATERIAL SPECIFICATIONS).
 8. HYDRANTS TO BE SET AT DEPTHS GREATER THAN 6.0' SHALL BE SET WITH A MODIFIED FIRE HYDRANT SETTING.
 9. POLYWRAP ENTIRE HYDRANT ASSEMBLY. DO NOT COVER WEEP HOLE DRAIN.
 10. HYDRANTS WILL BE SET AT A MINIMUM OF 3' TO 9' BACK OF CURB, NOT IN SIDEWALK, FIRE LANE, OR RADIUS OR AS DIRECTED BY BENTONVILLE WATER DEPARTMENT.

DEEP BURY FIRE HYDRANTS
(BURY DEEPER THAN 6'-0")



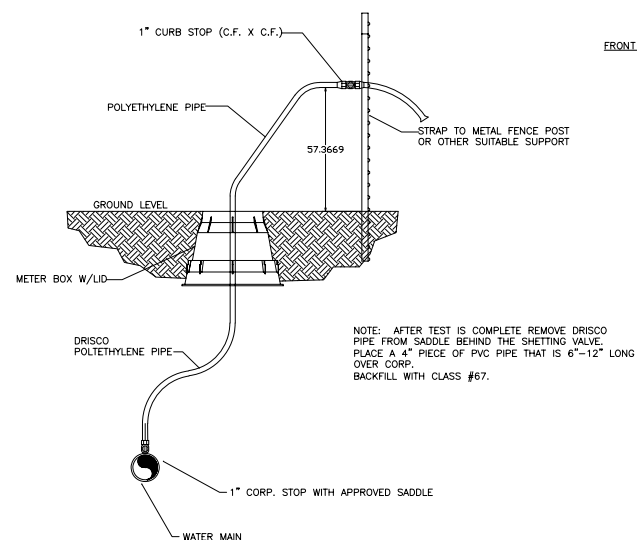
SWING CONNECTION - NEW MAIN TO EXISTING MAIN



- NOTES:
1. CONTRACTOR SHALL LOCATE EXISTING MAIN IN ADVANCE OF LAYING NEW LINE IN ORDER TO ASSURE ADEQUATE LENGTH TO ADJUST DEPTH OF NEW MAIN.
 2. DIMENSIONS SHOWN ARE RECOMMENDED MINIMUMS TO PROVIDE ADEQUATE ROOM FOR TIGHTENING BOLTS ON JOINTS. (OTHER DIMENSIONS MAY BE USED.)
 3. PROVIDE STAINLESS STEEL "ALL THREAD" RODS WITH EYE BOLTS FOR ANCHORING ALL JOINTS.
 4. RODS SHALL BE FIELD CUT TO FIT & SHALL BE PROTECTED WITH POLYWRAP.
 5. ROTATE TEE UP & ELBOW DOWN AS REQUIRED TO MATCH.
 6. USE TYPICAL CONCRETE BLOCKING REQUIRED.

PIPE SIZE	6"	8"	12"
RODS PER NIPPLE	2	2	4

TEMPORARY 1" BLOW OFF ASSEMBLY
SAMPLE POINTS

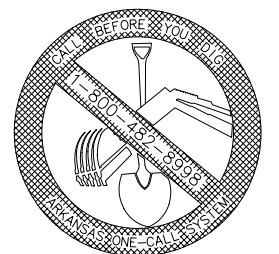


- NOTE: AFTER TEST IS COMPLETE REMOVE DRISCO PIPE FROM SADDLE BEHIND THE SHUTTING VALVE. PLACE A 4" PIECE OF PVC PIPE THAT IS 6"-12" LONG OVER CORP. BACKFILL WITH CLASS #67.



501 SE 3rd Street
Bentonville, AR 72712
Ph: (479) 271-3140
www.bentonville.com

WATER
DETAILS



- REVISIONS:
- Adopted by City Council 1/14/2003
Ordinance Number: 2003-18
 - Changes Proposed by Water Dept.
4/10/2007
 - Changes Proposed by Water Dept.
10/10/2007
 - Changes Approved by Health Dept.
05/09/2008

NOTES:

DRAWN BY: CAO DATE: 10/10/2007

APPROVED BY: XXX DATE: XX/XX/XXXX

SHEET NUMBER: 2 OF 2